



PLASTIC PRODUCTS

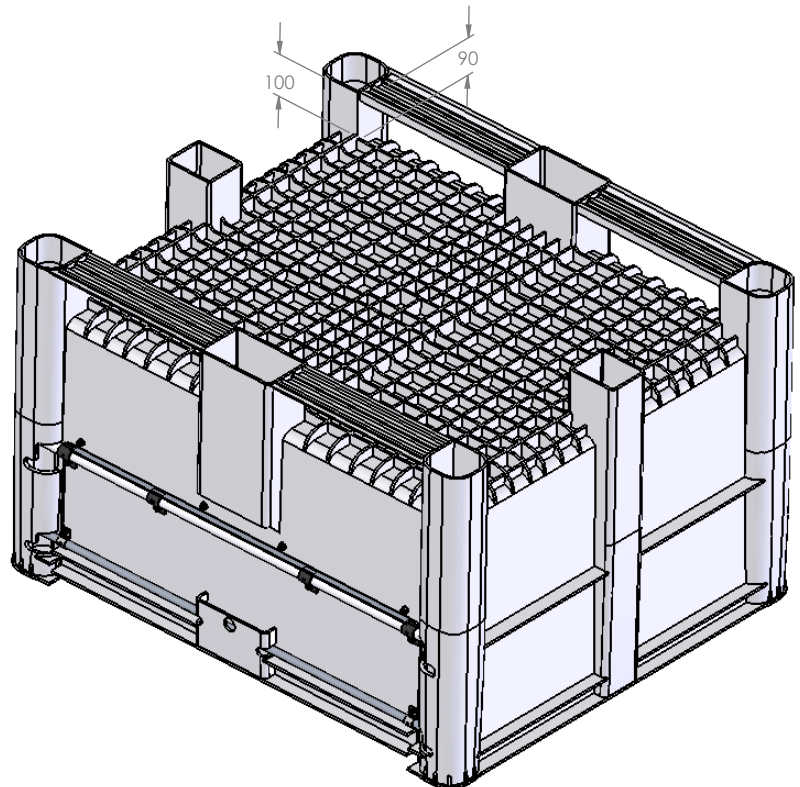
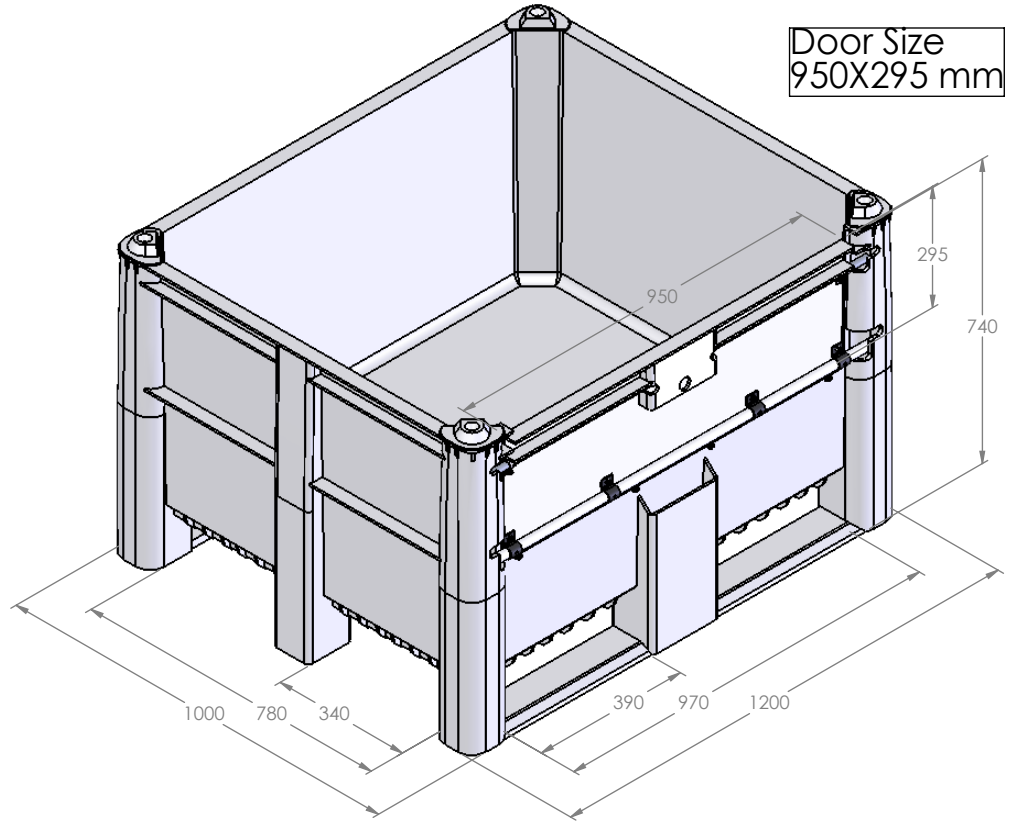
DOLAV PLASTIC PRODUCTS Cooperative Society Ltd

Kibbutz Dvir, M.P. HaNegev, 85330, Israel

Tel: +972-8-9111700 Fax: +972-8-9916710

<http://www.dolav.com>

BOX-PALLET TYPE :
1000 solid w/removable door



CATALOG NO. 11000030006